



ARDWOLF



Ardwolf A30 Keypad Door Lock User Manual

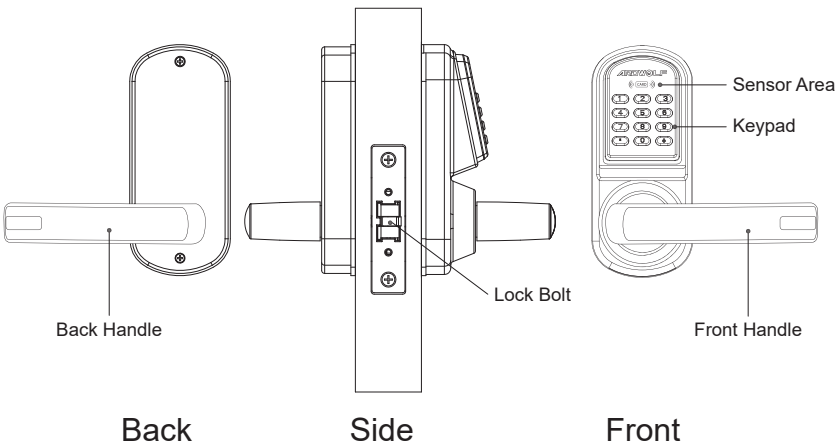
Content

Product Introduction	01
1. Product Features	02
2. Product Specifications	03
3. Packing List	04
Installation Guide	05
1. Installation Conditions	05
2. Installation Tools	06
3. Drill Holes On Door	06
4. Installation Steps	07
Programming	08
1. General Information	08
2. Functions Detail	12

Product Introduction



Dimension: 6.0 X 3.1 X 2.7 inch
Material: Zinc Alloy
Weight: 5.1 lbs




















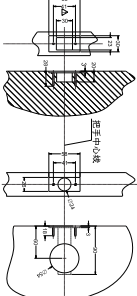


1. Product Features

- Three ways to unlock: User Code, Mifare Card or Key.
- Up to 200 user codes can be programmed into the lock. (user code is between 4-8 digits)
- Up to 200 Mifare Card can be programmed into the lock.
- Up to 10 service codes can be programmed to each lock for special purpose, service code can only grant one time access.
- Scheduling can be programmed, usage restriction policy can be set between time periods for both user code and mifare card.
- Automatic locking: for each valid entry, lock will automatically lock in 5 sec.
- Reversible lever: fits both left-handed and right-handed doors.
- Trial and Error Protection improves safety in the application environment
- Normal open/cancel operation makes it easy for users to set up and cancel
- Multi-level management functionality allows users to locate/delete user info in the lock's internal memory, suitable for different application environments

2. Product Specifications:

- Standard 12-key keypad
- Fit door thickness between 1.38” and 1.77”
- Factory default user code is “123456.” The fixed length of master password is 6 digits
- Engineering password is fixed at “0”. After modifying the master password, engineering password will be disabled.
- Service code is any number between 1-6 digits
- The fixed length of temporary master password is 14 digits
- Card Type: Mifare S50 Card
- Reading Distance: appr. 2.5cm/1’
- Powered by 4 AA alkaline batteries (NOT included)
- NOT waterproof
- Static Power: 30uA
- Dynamic Power: 200mA

3. Packing List

<p>1. Front Panel</p> 	<p>2. Back Panel</p> 	<p>3. Waterproof Rubber Pad</p> 
<p>4. Inside Chassis</p> 	<p>5. Lock Bolt</p> 	<p>6. Bolt Protector</p> 
<p>7. Wrench</p> 	<p>8. Strike Plate</p> 	<p>9. Square Spindle</p> 
<p>10. Pin (for square spindle fixing)</p> 	<p>11. Mechanical Key</p> 	<p>12. Fixing Screw x4 (A) (for strike plate fixing)</p> 
<p>13. Fixing Screw x 3 (B1) Fixing Screw x 3 (B2) Use B1 or B2 for fixing, depends on door thickness</p> 	<p>14. Screw x 1 (C) (for front panel fixing)</p> 	<p>15. Screw x 2 (D) (for front panel fixing)</p> 
<p>16. Screw x 2 (E) (for back panel fixing)</p> 	<p>18. User Manual</p> 	<p>20. Hole Drilling Template</p> 
<p>17. Screw x 1 (F) (for the screw "C" fixing)</p> 	<p>19. Mifare Card x 2</p> 	

Installation Guide

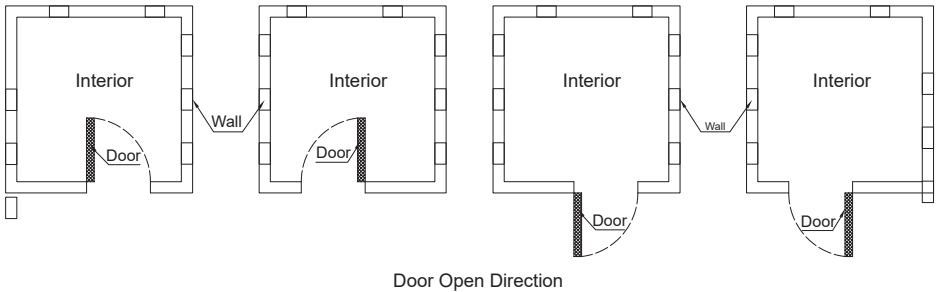
1. Installation conditions

1.1 Door Thickness Requirements



Door frame $\geq 110\text{mm}$ (for Inconsistent door thickness)

$35\text{mm} \leq \text{Door Thickness} \leq 45\text{mm}$ (More Than 45mm Need To Custom Accessories)





1.2 Confirm The Direction of the door



How to adjust the direction of lock handle

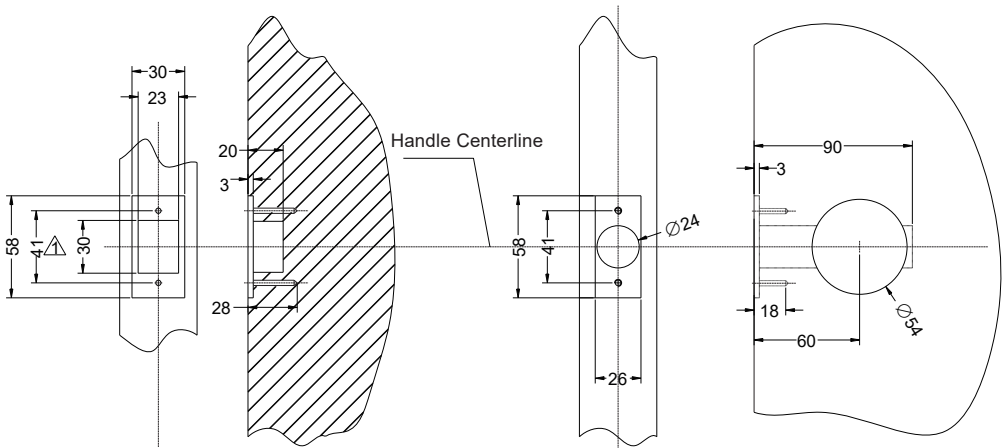
Front Panel	Back Panel
<ol style="list-style-type: none">1. Remove the 8 small screws2. Take out the mechanical system slightly. Do not damage the wire.3. Remove the screw holding the handle, then adjust the handle direction as desired4. Assemble the screws back 	<ol style="list-style-type: none">1. Remove the screws holding the handle, adjust the handle direction as desired2. Assemble the screws back 

2. Installation Tools

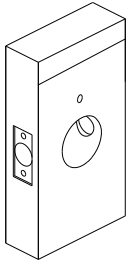
 <p>1. Pencil</p>	 <p>2. Tape Measure</p>	 <p>3. Square Measure</p>
 <p>4. Power Drill</p>	 <p>5. Drill Bits</p>	 <p>6. Hammer</p>
 <p>7. Utility Knife</p>	 <p>8. Phillips Screwdriver</p>	 <p>9. Chisel</p>

3. Drill Holes On Door

Below is the Drill Holes Template

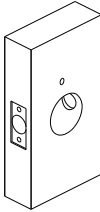


4. Installation Steps



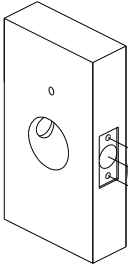
1. Draw lines

- To draw a horizontal centerline on both sides of the inner and outer door one meter from the ground.
- Fold Drill Holes Template, align the handle centerline with the horizontal line on the door, draw the front and side drill holes lines according to the requirements of the Drill Holes template.



2. Drill Holes

Drill Holes on the door according to the requirements of the Drill Holes template



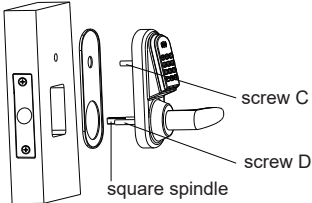
3. Install Latch

Install the latch to the hole, and fix it by using two "A" screws.

screw A

4. The front panel installation

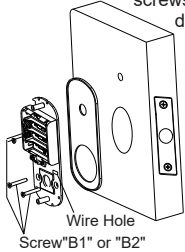
- Connect the screws of "C" and "F", then fix it in the hole which be showed on the front panel
- Fix the screws of "D" on the front panel
- Insert the square spindle, fix it by the "pin" which get through the small hole in the spindle and the front panel. Be sure to bend the pin for fixing.
- Put on the waterproof rubber pad
- Align the cylinder holes, install the front panel. The wire get through from the main hole.



screw C
screw D
square spindle

5. The inside chassis installation

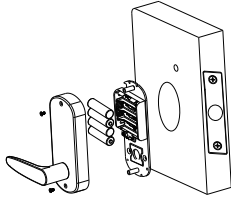
- Put on the waterproof rubber pad, get the wire through from the "wire hole" which on the inside chassis.
- Install the inside chassis, fixing it by using screws of "B1" or "B2" which depends on the thickness of the door.
- Connect the wire to the hub on the inside chassis.



Wire Hole
Screw "B1" or "B2"

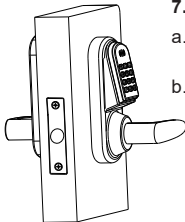
6. Install the battery and back panel

- Install 4 AA Alkaline batteries.
- Fixing the back panel by two screws of "E"



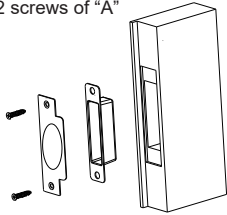
7. Installation Test

- Check the flexibility of outside and inside handle
- Check if the Mechanical keys works



8. Strike installation

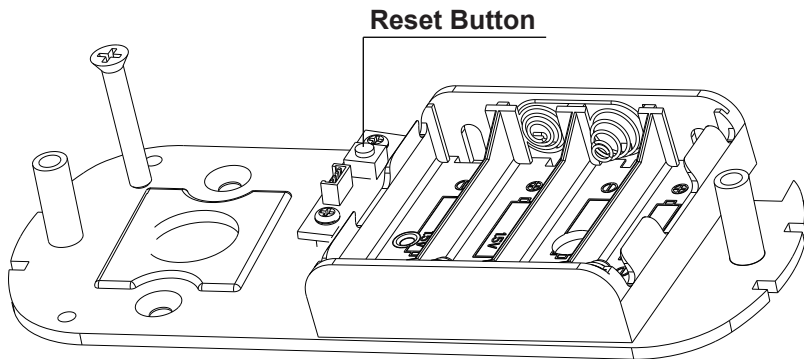
Install the bolt protector and strike plate, fixing by using 2 screws of "A"



Programming

General Information

- **Exit setting mode:** Enter * to exit the setting procedure, or wait for 10 seconds
- **Low battery warning:** When the voltage drops below 4.8V, after entering a valid code, the LED will flash red and beep five times.
- **Unlocking indicator:** Green light will flash and beep twice.
- **Locking indicator:** Red light will flash and beep three times.
- **Reset:** Set the lock back to manufacturer default. Press and hold the reset button for about 10 seconds (3 beeps with LED blink red). The reset button is located below the battery compartment. (See Picture)



Manufacturer default settings

- **Daylight Savings:** Disabled
- **Auto unlock/lock:** Disabled
- **Default programming code:** 123456
- **Lock mode:** Storehouse
- **Construction code:** 0 #

Steps to setup a new lock (please follow the order)

- a. Change master code (For example, change to 1234)
123456 # 11 # 1234 # 1234
 - b. Enable daylight saving (optional)
1234 # 31
 - c. Set lock time (optional) (For example, set time as January 23, 2008, 2:45PM)
1234 # 88 # 0801231445#
 - d. Add user code (For example, add 1357 to the lock, 001 is index No.)
1234 # 01 # 001# 1357 # #
 - e. Add user card (Optional.002 is index No.)
1234 # 01 # 002 # touch MF card onto reader ## # (wait light goes off)
- Set schedule for user code or user card (see 29 How to program schedule week & time)

Different methods to operate the lock

- **Key code:** User Code, #
- **Key card:** Card key touch lock reader
- **Key card +Key code:** card touch lock reader, LED glow green, enter user code, #
- **One time service code:** One time code, #
- **Mechanical key:** Turn the override key 90 degree clockwise, then turn the handle

Terms

Master code: The master code puts the lock into a programming mode. It won't lock/unlock the lock. When # sign is pressed, the red LED will start to flash indicating the lock is now in programming mode. If more than 6 seconds have passed in between programming entries, the lock will return to normal operational status. For maximum security it is recommended to change the default Master Code.

Construction code: Installer code is a default temporary code (0) for installer to testing the lock. The code will be deleted after the first new user code is added to the lock.

User code: User code is the normal code for day-to-day operations.

Service code: Service codes are used for special purposes such as maintenance personnel or vendors. Service code only grants one time access. Total of 10 sets of service codes can be programmed to each lock.

Index No.*: For each user code or user card. It is associate with a unique number, we call it index No. (or slot No.). The Index No. is auto generated by lock and starts with 001. The highest Index No. will be 200. Total user index is 200 that can be added to each lock. (* Please log the user code along with its index No. for adding or deleting references)

Passage mode: When Passage Mode is enabled, the lock will stay in unlocked status after first valid entry. Enter a valid entry code to lock back the door.

Storehouse mode (Lock-back mode): For each valid entry, lock will automatically lock in 5 seconds.

Lockout mode: Enable the Lockout mode will freeze the lock at its current status (Lock or unlock), temporarily disable all the user codes and user code. Re-enter the function code 99 to disable the lockout mode, and resume normal operation.

Reset lock memory: Press and hold reset button for about 10 seconds with 3 short beeps; it will delete all the codes, cards, and restore back to factory default setting.

Time format: 0830 = 8:30AM; 1730 = 5:30PM

Schedule Date: 1=Mon, 2=Tue, 3=Wed, 4=Thu, 5=Fri, 6=Sat, 7=Sun

Functions Detail

1. How to change master code (but not delete existing users)

▲ Function Code: 11#

{#}+{default master code#}+{11#}+{new master code#}+{new master code#}

2. How to change master code (and delete all existing users)

▲ Function code: 22#

{#}+{current master code#}+{22#}+{new master code#} + {new master code#}

3. How to enable daytime saving function

▲ Function Code: 31#

{#Master code#}+{31#}

4. How to set date and time

▲ Function Code: 88#

{#Master code#}+{88#}+{yyymmddhhmm#}

5. How to add one user code (no time restriction)

▲ Function Code: 01#

{#Master code#}+{01#}+{index No. #}+{user code# # #}

6. How to add multi-user code (no time restriction)

▲ Function Code: 01#

{#Master code#}+{01#}+{index No. #}+{user code(1)# # #}+{index No. #}+{user code(2)# # #}+{index No. #}+{user code3###} ... and more if needed

7. How to add one user access code (with time restriction)

▲ Function Code: 01#
{#Master code#}+{01#}+{index No. #}+{user code#}+
{yymmddhhmm#(start time)}+{yymmddhhmm#
(ending time)}

8. How to add multi-user code (with time restriction)

▲ Function Code: 01#
{#Master code#}+{01#}+{index No. #}+{user
code#(1)}+{yymmddhhmm#(start)}+{yymmddhhmm#
(ending time)}+ {index No. #}+ {user code#(2)} +
{yymmddhhmm#(start)} + {yymmddhhmm#(ending)} ...and
more if needed

9. How to add one user card (no time restriction)

▲ Function Code: 01#
{#Master code#}+{01#}+{index No. #}+{touch card # #}

10. How to add multi-user card (no time restriction)

▲ Function Code: 01#
{#Master code#}+{01#}+{index No. #}+{card (1)# #}+{index
No. #}+{card (2)# #} ...and more if needed

11. How to add user code + user card as dual user (no time restriction)

▲ Function Code: 01#
{#Master code#}+{01#}+{index No. #}+ {user
code#}+{touch card # #}

12. How to add one user card (with time restriction)

▲ Function Code: 01#
{#Master code#}+{01#}+{index No. #}+ touch {card}+
{yymmddhhmm#(start time)}+{yymmddhhmm#(ending
time)}

13. How to add multi-user card (with time restriction)

▲ Function Code: 01#

{#Master code#}+{01#}+{index No. #}+ touch {card (1)}+
{yymmddhhmm#(start time) } + {yymmddhhmm#(end
time)} +{index No. #}+ touch {card (2)} +
{yymmddhhmm#(start)}+ {yymmddhhmm#(end time)}
...and so on

14. How to disable one user code or user card with index No.

▲ Function Code: 02#

{#Master code#}+{02#}+{index No.#}

15. How to enable one user code or user card with index No.

▲ Function Code: 03#

{#Master code#}+{03#}+{index No.#}

16. How to enable passage mode and schedule (lock back when the passage mode end)

▲ Function Code: 15#

{#Program#}+{15#}+{weekly schedule}+{#}+{begin time &
ending time#}

17. How to disable passage mode

▲ Function Code: 16#

#Master#}+{16#}

18. How to enable LED blink light (on & off)

▲ Function Code: 18#

{#Master code#}+{18#}

19. How to disable daytime saving

▲ Function Code: 32#

{#Master code#}+{32#}

20. How to set up one time service code (up to 10 service codes)

▲ Function Code: 33#

{#Master code#}+{33#}+{service code(1)#}+ {service code(2)#}+... and so on

21. How to delete all one time service codes

▲ Function Code: 23#

{#Master code#}+{23#}

22. How to delete user code or user card with index #

▲ Function Code: 44#

{#Master code#}+{44#}+{index#}

23. How to enable auto-unlock function

▲ Function Code: 64#

{#Master code#}+{64#}

24. How to setup auto-unlock time (it will auto unlock the door everyday at assigned time)

▲ Function Code: 63#

{#Master code#}+{63#}+{HHMM#}

25. How to disable auto-unlock function

▲ Function Code: 65#

{#Master code#}+{65#}

26. How to enable auto-lock function

▲ Function Code: 67#

{#Master code#}+{67#}

27. How to setup auto-lock time (it will auto lock the door everyday at assigned time)

▲ Function Code: 66#

{#Master code#}+{66#}+{HHMM#}

28. How to disable auto-lock function

- ▲ Function Code: 68#
{#Master code#}+{68#}

29. How to enable / disable Lock-out mode (lock out all the users if enabled)

- ▲ Function Code: 99#
{#Master#}+{99#}

30. How to program scheduling by week & time

- ▲ Function Code: (45#)
 - 1st enable daylight saving
 - 2nd set up date & time (use 88# function code)
 - 3rd adding user code or user card in advance (see No.5 or No.9 how to add user code & user card)
 - 4th program schedule (as below example)

Weekly Schedule Format

Sun	Mon	Tue	Wed	Thu	Fri	Sat
7	1	2	3	4	5	6

Formula: {#master code#}+{function code#}+{user code# or card}+{weekly schedule day#}+{begin time & ending time#}

• How to schedule with a “User code”

Example: schedule for user code “2222” which will grant access Mon., Wed. and Fri., from 8:30AM to 5:30PM

#1357#	45#	2222#	135#	0830	1730#
Master code	Function code	User code	Schedule	Beginning time	Ending time

- **How to schedule with an “User card”**

Example: schedule for user card which will grant access Mon., Wed. and Fri., from 8:30AM to 5:30PM

#1357#	45#	Card#	135#	0830	1730#
Master code	Function code	Card	Schedule	Beginning time	Ending time

- **How to schedule with “User-code + user card”**

Example: schedule for code “1357” + card which will grant access Mon., Wed. and Fri., from 8:30AM to 5:30PM

#1357#	45#	2222# + card	135#	0830	1730#
Master code	Function code	User code + user card	Schedule	Beginning time	Ending time

- **How to schedule passage mode (also see number 16.)**

Example: schedule passage mode Monday to Friday, 8:30AM to 5:30PM

#1357#	15#	12345#	0830	1730#
Master code	Function code	Schedule	Beginning time	Ending time



Customer Service

Email: service@ardwolf.com

Address: 12240 East End Ave Chino CA 91710 United States

www.ardwolf.com